

DH261



Architecture Highlights - AC220V - Outdoor use



SINGLE CCT



Model Number	DH261310
Housing/Body	Casting Aluminum Housing
Mounting	Wall Mounting Backplate
Light Colors	Static White (2000K-6500K)
Lumens	1600 lumen
CRI	High Efficiency 90
Voltage	AC220V
Lifetime	50,000 hours
Maximum Power	18W
Dimensions	260mm x 125mm x 105mm

Architectural Lighting

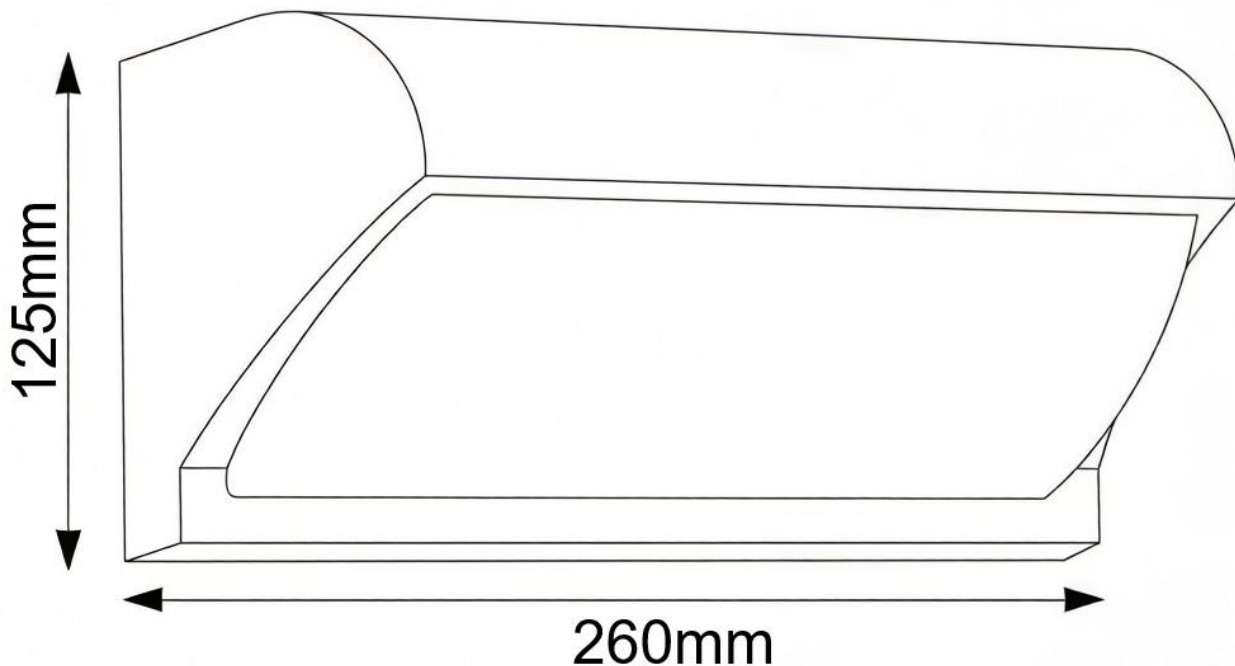
LED wall packs are surface-mounted fixtures installed along exterior building walls, typically positioned above entryways, loading docks, walkways, and around the perimeter of warehouses, workshops, retail centers, and service bays. These fixtures feature compact, durable housings and are available in full cutoff, semi-cutoff, and forward-throw form factors to suit different site.

This LED wall pack delivers lumen outputs ranging from 1600 to 3200 lumens, with an efficacy of 140 lumens per watt. The polymer lens ensures consistent beam distribution, suitable for wall-mounted applications.

Beam Angles



Dimensions(mm)



Varies Mode: 385mm Length