

24V Linear LED

 IP65

Architecture Highlights - Extruded Aluminum Body - Outdoor use



The Outdoor Linear LED Light, available in 0.5m/1m/2m lengths, provide precise, energy-efficient accent lighting for architectural projects. Built with an IP65-rated aluminum housing and a tempered glass lens, this fixture can withstand harsh outdoor conditions in commercial, hospitality and residential environments.

This rigid linear light provides five adjustable color temperatures ranging from 2700K to 6000K. Standard finishes include White, Black, and Titanium Gray, with custom RAL colors available upon request. The standard model features wall wash optics with options for narrow, medium, wide and elliptical beam angles available. For further customization, an asymmetric anti-glare louver is available upon request.

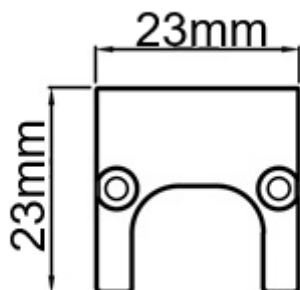
SINGLE CCT



Size	Wattage	Lumens
50cm	6W	600lms
100cm	12W	1200lms
200cm	24W	2400lms

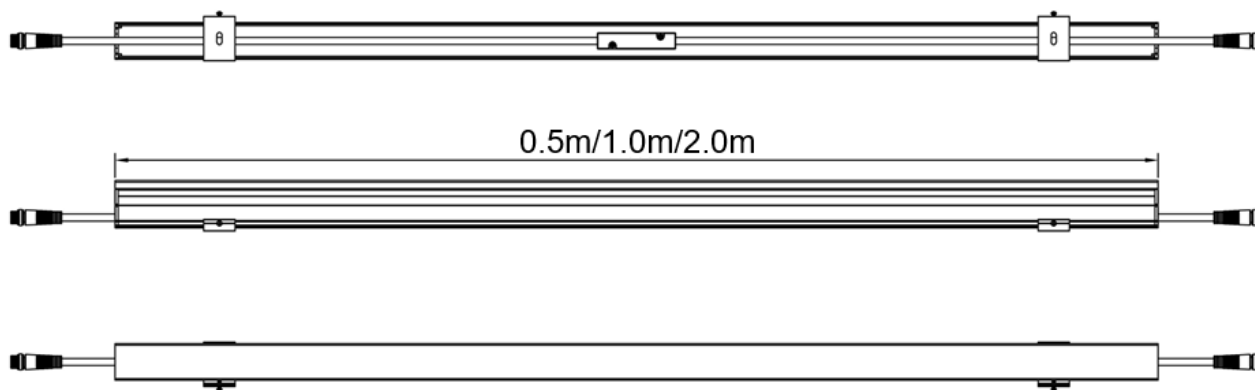
Architectural Linear Lighting

Dimensions(mm)

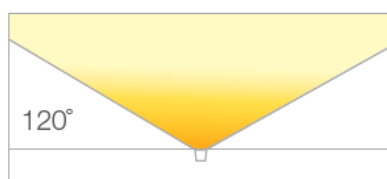


Extruded Aluminum Profile Options

16x48 mm	20x30 mm	30x48 mm	40x48 mm	50x55 mm	65x55 mm
	23x23 mm	31x67 mm	43x33 mm	55x69 mm	
	23x34 mm	32x33 mm	45x72 mm		
	24x50 mm	37x51 mm			
		38x62mm			



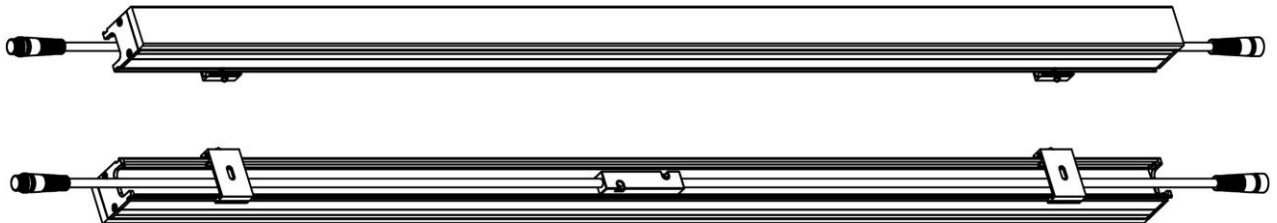
Beam Angles



* Options for narrow (15°), medium (60°), wide (120°) and elliptical beam angles (12°x22°, 15°x40°, 30°x60°) available.

Product Specifications

Model	YG24V Flat Rigid Linear Luminance		
Cut Length	500mm	1000mm	2000mm
Light Source	White LED, RGBW		
Color Temperatures	Static White 2700K, 3000K, 3500K, 4000K, 5000K RGBW(4000K), RGBW(6000K) Dynamic		
LED Quantity	24pcs	48pcs	96pcs
Power	6W	12W	24W
System Power	7.5W	15W	30W
Luminous Flux(12W/m)	White 3000K:350lm	White 3000K:720lm	White 3000K:1500lm
Efficacy	White 3000K 50lm/w (full on 120°)		
Beam Angles	120°		
Lens	UV Stabilized PMMA / Glass		
Housing	Aluminum		
Housing Coating Options	Titanium Gray Matte Black (RAL9011), Customized RAL Code Colors		
Environment	Outdoor, IP65, IK08, Coastal Environment (ASTM B117-16)		
Mounting	Fixed Mounting Bracket		
Dimensions (LxWxH, Mounting Bracket Included)	500x23x23mm	1000x23x23mm	2000x23x23mm
Weight	0.5kg	0.81kg	1.62kg
Regulatory Listing & Safety Approval	CE		
Operating Temperatures	-30°C to +50°C		
Minimum Start Temperatures	-20°C		
Control	ON/OFF DMX(RDM)		

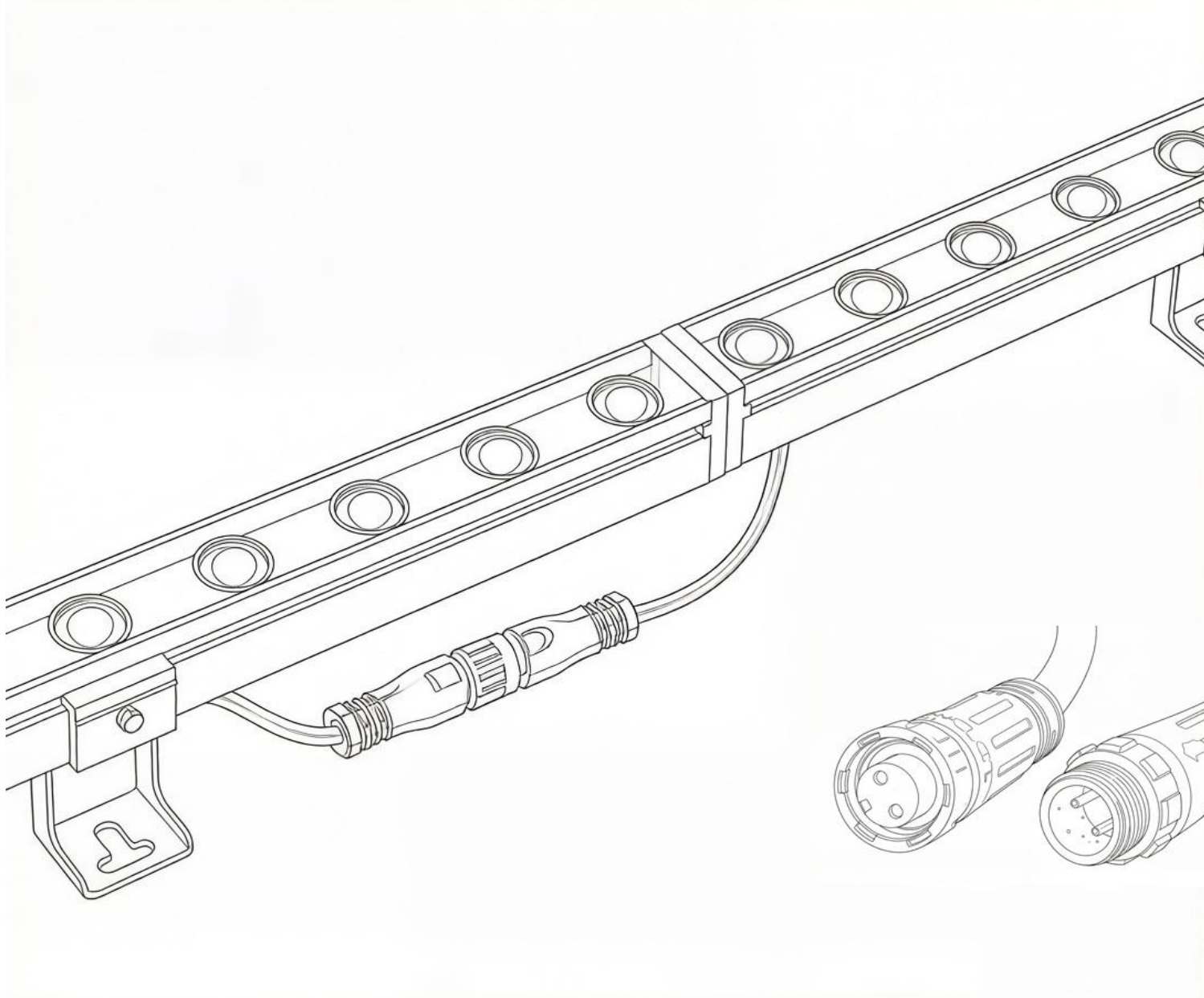


Architectural Linear Lighting

Ordering Code

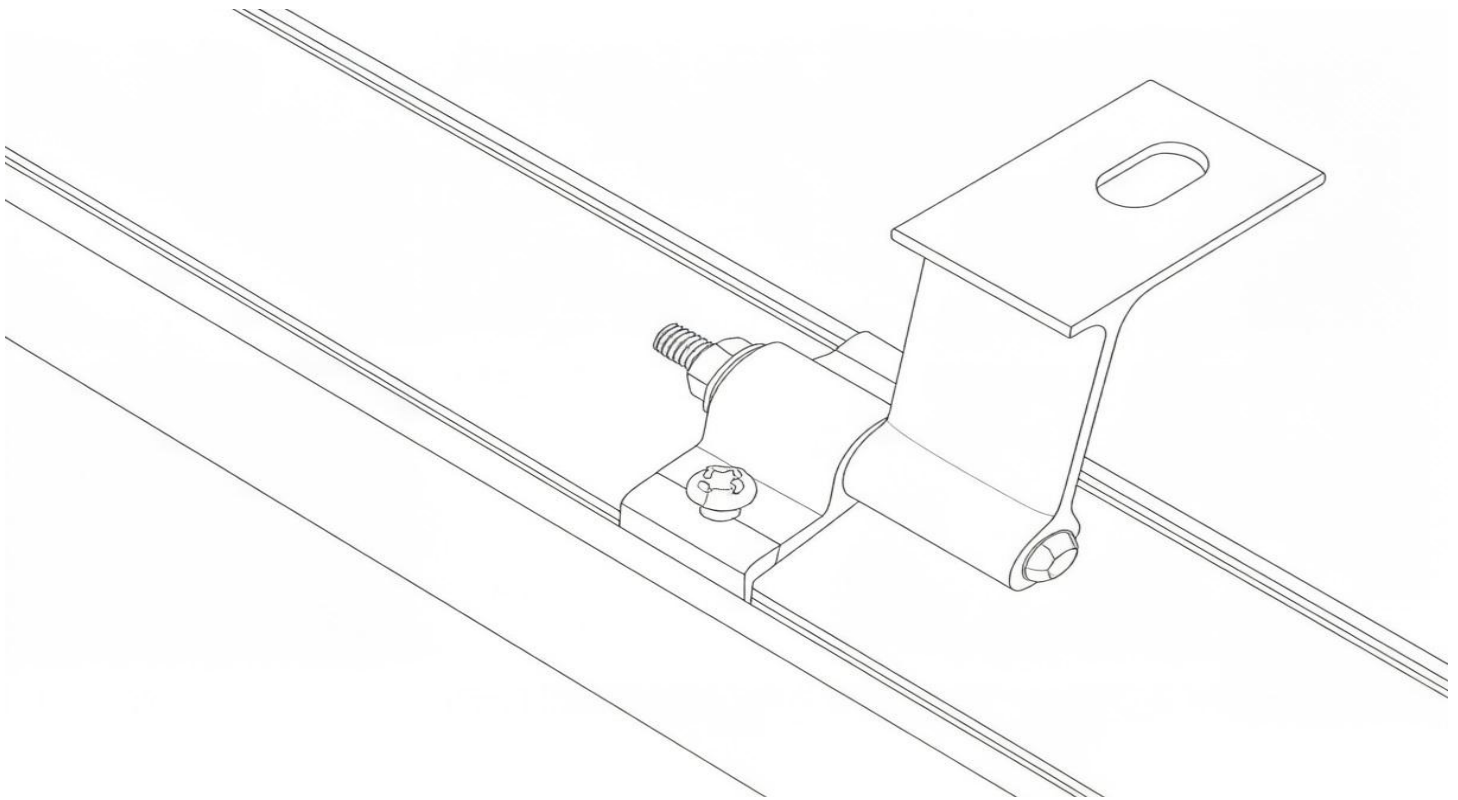
LINE	Voltage	Aluminum Profiles	Length	Housing Color	Lights Color		Louvers
	AC 220V	2030 20x30mm	50cm	White	23(2300K)	Red	Glare Shield
	AC 110V	2323 23x23mm	100cm	Black	27(2700K)	Green	Half Glare Shield
	AC 100V	4048 40x48mm	200cm	Gray	30(3000K)	Blue	Quarter
	DC48V	5055 50x55mm		RAL Code	35(3500K)	Ice Blue	Glare- Shield
	DC24V				50(5000K)	Amber	Honeycomb
					65(6500K)	RGBW Dynamic	

Daisy Chain Installation



Luminaire Rotation

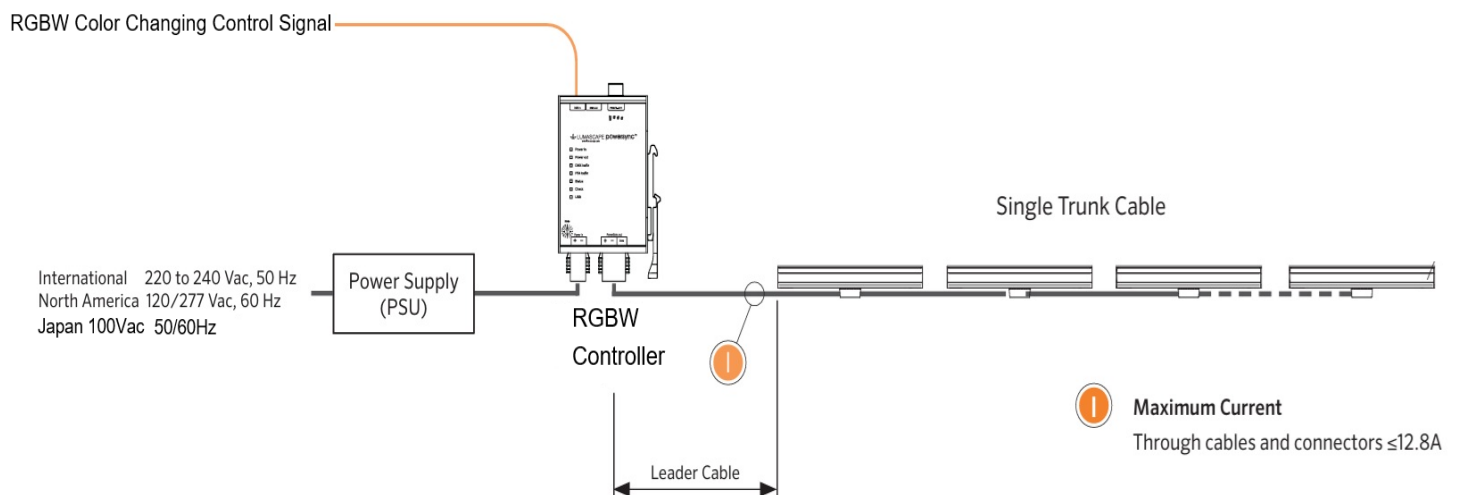
Adjustable Bracket – Constant Torque Locking Hinge, simple and consistent position control from various angles.



* Rotate fixture back to proper position. Tighten pivot bolt to secure the desired angle

Network Topology

DC24V Low Voltage (Color Changing RGBW Dynamic Controller)

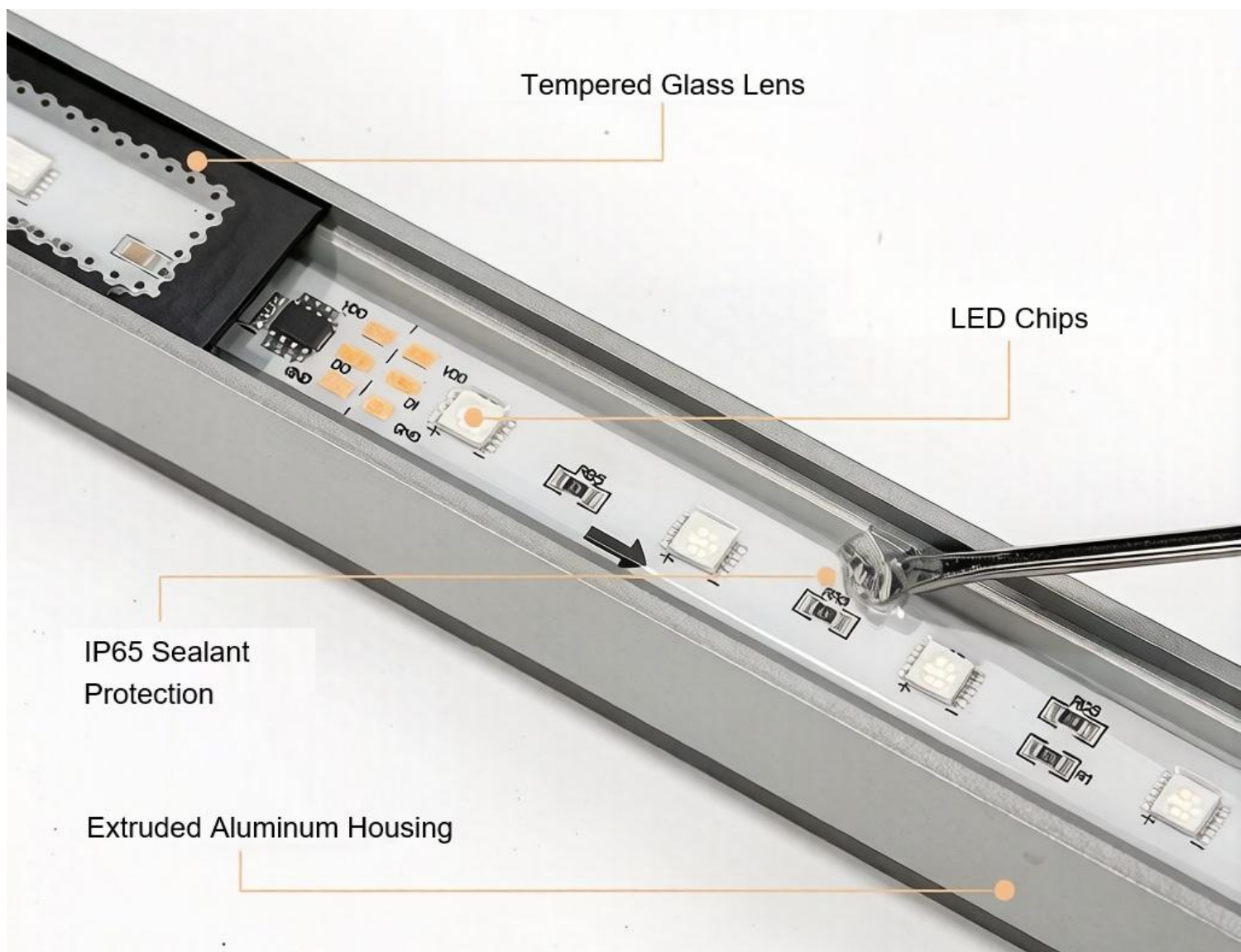


Architectural Linear Lighting

The Outdoor Linear LED Light is a high-performance, weather-resistant luminaire engineered for architectural, commercial, hospitality, and residential exterior applications. Available in multiple lengths—0.5m, 1m, and 2m—it provides precise, energy-efficient accent lighting that enhances façades, landscapes, and structural features with striking clarity.

Built for durability, the fixture features an IP65-rated aluminum housing with a 23×23 mm profile section, customizable to specific project requirements. A tempered glass lens ensures long-term reliability even in harsh outdoor conditions, while the sleek finishes—White, Black, Titanium Gray, or any custom RAL code—allow seamless integration into diverse design schemes.

Lighting flexibility is at the core of its design. Five field-selectable color temperatures from 2700K to 6000K enable tailored ambiance, complemented by 0–10V dimming compatibility for smooth brightness control. The standard wall wash optics can be upgraded with narrow, medium, wide, or elliptical beam angles, and further refined with asymmetrical anti-glare louvers to suit different visual comfort needs.



Architectural Linear Lighting

For advanced lighting possibilities, the series supports Static white, tunable white, and RGBW configurations, making it ideal for façade grazing, wall washing, and landscape highlighting. Optional link cables in three lengths and hardwire cables in two lengths ensure versatile installation across varied site layouts.



Combining robust construction, adaptable optical performance, and extensive customization, the Outdoor Linear LED Light is more than just an exterior luminaire—it's a design tool for architects and lighting designers seeking to elevate nighttime aesthetics. Whether illuminating a modern office tower, a boutique hotel entrance, or a sculpted garden pathway, this fixture delivers uniform illumination, exceptional color consistency, and minimal maintenance requirements.

Intended Use

This luminaire is engineered for architectural façade illumination, including continuous wall washing and grazing. It is ideally suited for building perimeter lighting, signage backlighting, and landscape architectural features. Designed for exposed outdoor environments, it meets the demand for high color consistency and low maintenance in commercial, hospitality, and municipal projects.

- **Façade Illumination**

Specifically engineered for **wall washing** and **grazing** applications, providing uniform light distribution across building exteriors and enhancing architectural textures.

- **Perimeter & Landscape Lighting**

Ideal for outlining building structures and illuminating **landscape architectural features**, ensuring consistent light quality in exposed outdoor environments.

- **Signage & Accent Lighting**

Designed for **signage backlighting** and highlighting specific architectural details where high color consistency and minimal maintenance are critical.





Architectural Linear Lighting

Aluminum Housing Finish

Available in three standard finishes—White, Black, or Titanium Gray—as well as any custom RAL code, ensuring seamless integration with diverse architectural styles.

1013 Oyster white	1014 Ivory	1015 Light ivory	1016 Sulfur yellow
1021 Colza yellow	1023 Traffic yellow	1024 Ochre yellow	1026 Luminous yellow
1034 Pastel yellow	1035 Pearl beige	1036 Pearl gold	1037 Sun yellow
2004 Pure orange	2005 Luminous orange	2007 Luminous bright orange	2008 Bright red orange
2013 Pearl orange	2017 RAL orange	3000 Flame red	3001 Signal red
3007 Black red	3009 Oxide red	3011 Brown red	3012 Beige red
3017 Rose	3018 Strawberry red	3020 Traffic red	3022 Salmon pink
3031 Orient red	3032 Pearl ruby red	3033 Pearl pink	4001 Red lilac
4006 Traffic purple	4007 Purple violet	4008 Signal violet	4009 Pastel violet

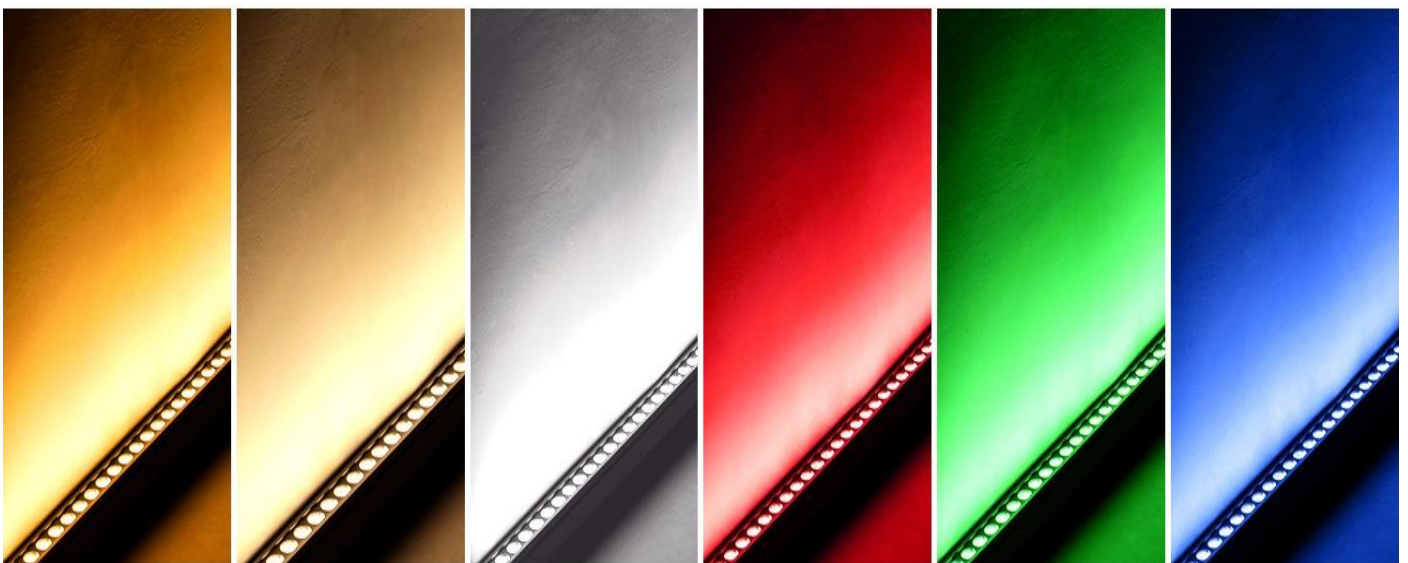
Color Temperatures / CCT

	2700 K - intimate atmosphere, friendly atmosphere, relaxation, peace, harmony] WARM
	3000 K - mild, warm, friendly, conducive to relaxation	
	3500 K - inviting, unobtrusive, more dynamic] NEUTRAL
	4000 K - clean, tidy, modern atmosphere, concentration and work	
	5000 K - bright, stimulating, typically dynamic] COLD
	6500 K - daylight, like in full sun	

Quick Data

Construction:	Extruded Aluminum
Color Temperature:	2700K / 3000K / 3500K / 4000K / 5000K / 6000K / Tunable White
Colors Light	Red/Green/Blue/ Amber/Pink/Purple/Glacier Blue RGB Color Changing RGB+ White RGB+ Amber (Warm Tone)
CRI:	90+
Voltage:	120-277V
Driver:	0-10V DMX512 RGBW Color Changing Controller
Operating Frequency:	50/ 60 Hz
Power Consumption:	12 watt per meter
Lumen Output:	100 lumens per watt (3500K)
Max run:	Linkable up to 30 meters.
Operating Temperature:	-40°C to 50°C
Life:	50,000 Hours
Listing:	ETL Listed, IP66 Outdoor/ Wet Location
Warranty:	3 years carefree for parts & components (Labor not included).

Colors Light



Robust Range of Accessories are available

Glare Shields, inground enclosures, masking shields, mounting arms, symmetric louvers



Outdoor Linear LED: Precision Lighting for Architectural Identity

In the realm of architectural lighting, the structure is the canvas, and light is the brushstroke.

Outdoor Linear LED is a high-performance exterior linear luminaire system engineered to do more than just illuminate—it is designed to reveal. From the subtle grain of natural stone to the sharp lines of modern moldings, this system uncovers the intricate details that define a building's character.

Seamless Integration, Unseen Presence

Architectural lighting should be seen, but the fixture should not. The Outdoor Linear LED series features an advanced, low-profile design that allows it to disappear into both historic renovations and new constructions. Whether hidden within coves, tucked under ledges, or mounted discreetly along pathways, the luminaire stays out of sight. The result is pure architectural expression, free from visual clutter.

Versatility in Light Distribution

Thanks to its linear form factor, Outdoor Linear LED excels at delivering perfectly uniform illumination across long surfaces, eliminating the hot spots and scalloping common with traditional fixtures. Its true versatility lies in its placement:

- **Grazing:** When mounted close to a wall, it casts light parallel to the surface, emphasizing textures, reliefs, and structural depth.
- **Washing:** When positioned further away, it transforms into a flood of even light, smoothing over surfaces with consistent brightness.

A Solution for Every Scale

Recognizing that every project has unique demands, the Outdoor Linear LED family offers three specialized configurations:

- **Outdoor Linear LED – High Bright:** The powerhouse of the series. Delivering maximum lumen output and extensive color options, it is the definitive choice for large-scale, multi-story façades and high-intensity surface illumination where impact is paramount.
- **Outdoor Linear LED – Performance:** The balanced workhorse. Designed for projects that require a harmonious blend of optical performance and cost-efficiency, perfect for general façade and grazing applications.
- **Outdoor Linear LED – Compact:** The master of discretion. As one of the smallest exterior linear grazing luminaires on the market, its ultra-low profile aluminum housing fits where others cannot. It proves that powerful architectural lighting doesn't require a bulky presence.
-

Dynamic White and Rich Color

Beyond standard illumination, Outdoor Linear LED is a creative tool. It delivers exceptional white light for crisp architectural definition, while also offering rich, saturated color and dynamic color-changing effects—all within the same precisely controllable platform.

Whether highlighting an arched window, tracing a building's perimeter, or bringing ambient light to an outdoor space, **Outdoor Linear LED** ensures that every segment, texture, and unique area of your architectural structure stands out, transforming the ordinary into the extraordinary.

