

Half Circular LED

IP65

Architecture Highlights - AC220V - Outdoor use



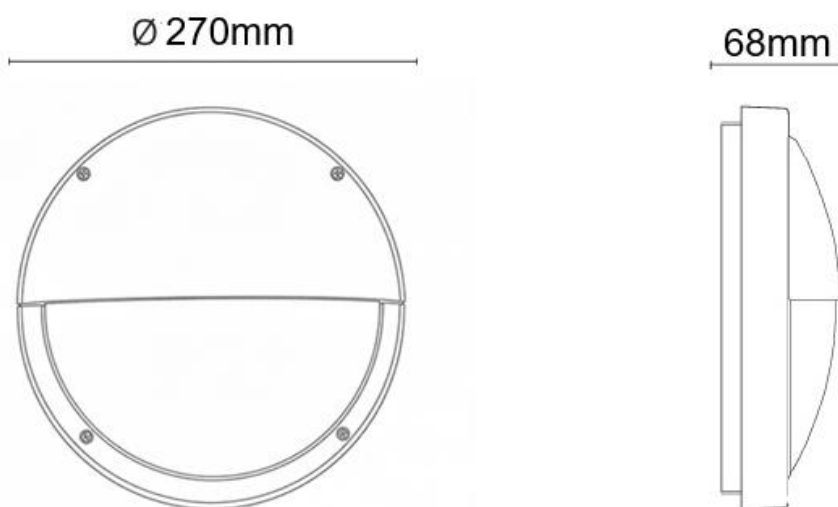
Model Number	HAC270
Housing/Body	Casting Aluminum Housing
Optics	UV-Stabilised Polycarbonate
Mounting	Wall Mount
Light Colors	Static White (2000K-6500K), Red/Green/Blue
Controls	ON/OFF
CRI	High Efficiency 85
Voltage	AC220V
Lifetime	50,000 hours
Maximum Power	11W
Dimensions	270mm x 68mm
Lumens	1056 lumens

Architectural Flood Lights

Overview

Stylish round wall luminaire featuring a half-diffuser design. The robust die-cast aluminum housing is powder-coated as standard in Black, White, or Grey, with **custom finishes available upon request via RAL codes**. It utilizes a UV-stable opal PC diffuser and offers dual cable inputs with loopable terminals. Optional Twilight Relay models are available. Engineered for extreme durability: IP65, IK10, and backed by a 10-year corrosion warranty.

Dimensions(mm)



Varies Modes

HAC270-CS

With Cross



HAC270-GD

With Grid



