

One Beam Cylinder Wall Lights CW108200

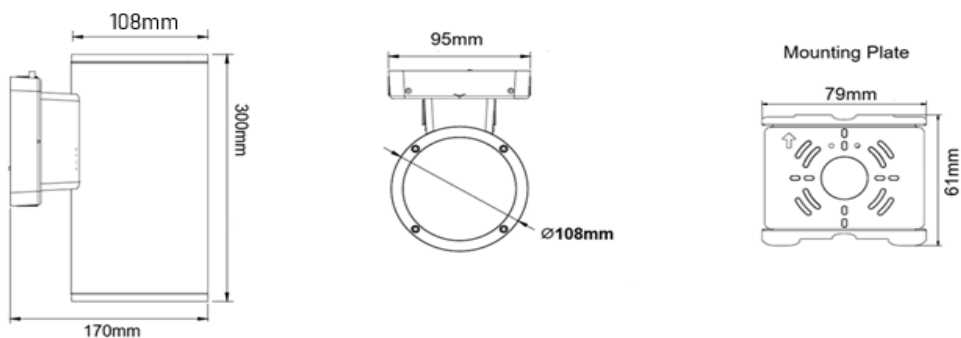


Wall Mount Luminaire
Integrated Power Supply
AC220V Direct Wired
One Beam LED
Warm White/Cold White/Day Light
RGB Lights Selective



Quick Facts

- Selectable CCT and Wattage options
- Selectable light distribution (Uplight/ Downlight/Combined [Up + Down])
- Up to 1080 Lumens
- Replaces up to 70W HID equivalent
- Efficiencies up to 120 lumens per watt
- Energy and maintenance savings up to 57%
- Heat and impact resistance tempered glass lens



SPECIFICATIONS

Construction

- Rugged Die-cast Aluminum Housing
- PC lens and Tempered Glass Cover
- Housing is completely sealed against moisture and environment contaminants

Electrical

- Universal Voltage Dirver 110-220 Volt
- Ambient Operating Temperature -40°C to 40°C
- Integrated Power Supply
- One Way Lights

Optics

- 5 Selectable CCTs in 80CRI
>>2200K, 3500K, 4500K, 6000K, 7000K
- 30° light distribution
- up to 2000 Lumens

Installation

- Mounts to standard junction box and can be mounted direct to wall

Warranty

- 3 Years Warranty

Typical Applications

- Outdoor
- Parking Lots
- Walkways
- Building Areas

Housing Colors

- Black or Bronze Powder-coat finish
- RAL Colors Code

Shipping Data

- Unit Carton 1.2kg
- Master Carton: 25kg

Energy and Performance Data

Power and Lumens(Selectable)

Power(Watts)	10W	6W
Input Current @ 110V (A)	0.109	0.109
Input Current @ 220V (A)	0.055	0.055

Performance

3000K	Lumens	1272	596
	Lumens per Watt	106	107
4000K	Lumens	1452	653
	Lumens per Watt	121	121
5000K	Lumens	1368	632
	Lumens per Watt	114	114

Installation

1. Loosen but do not completely remove the wedge plate screws on the fixtures
2. Remove the wedge plate from the luminaire
3. Attach the gasket to the wedge plate with the adhesive provided on the gasket
4. Attach the wedge to the wall or junction box. Wedge plate must be mounted with hardware able to support a fixture weight of up to 12kg
5. Make wiring connections per wiring diagram

